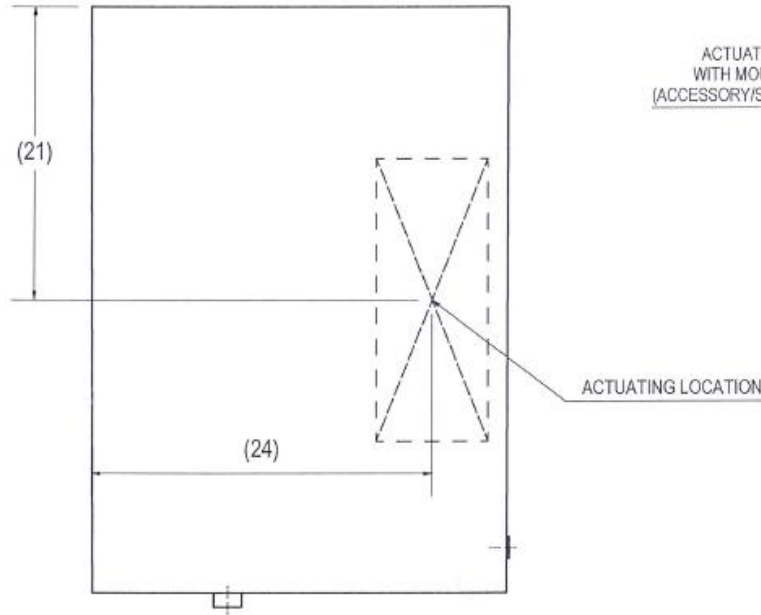
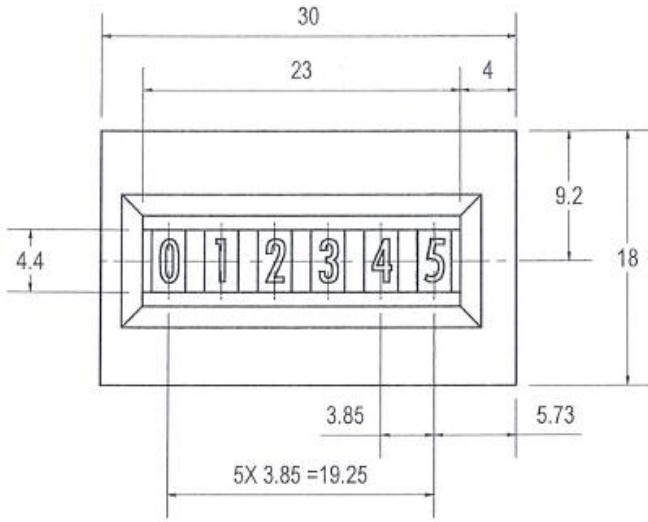


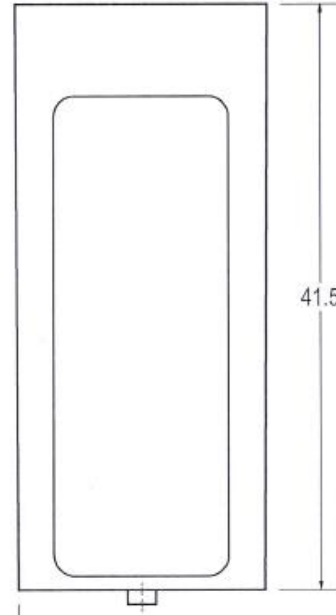
仕様



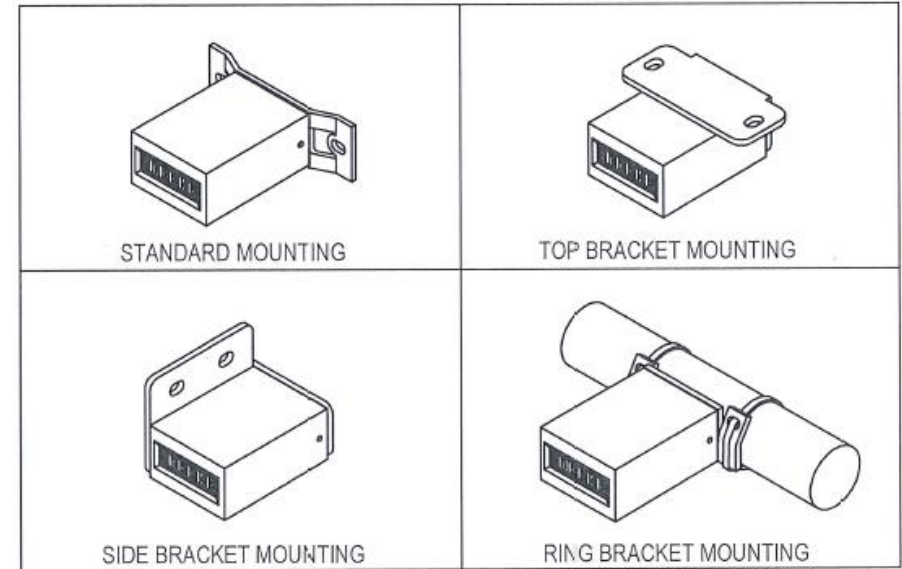
ACTUATOR MAGNET
WITH MOUNTING HOLE
(ACCESSORY/SOLD SEPARATELY)



13^{+1}_0
ACTUATING DISTANCE

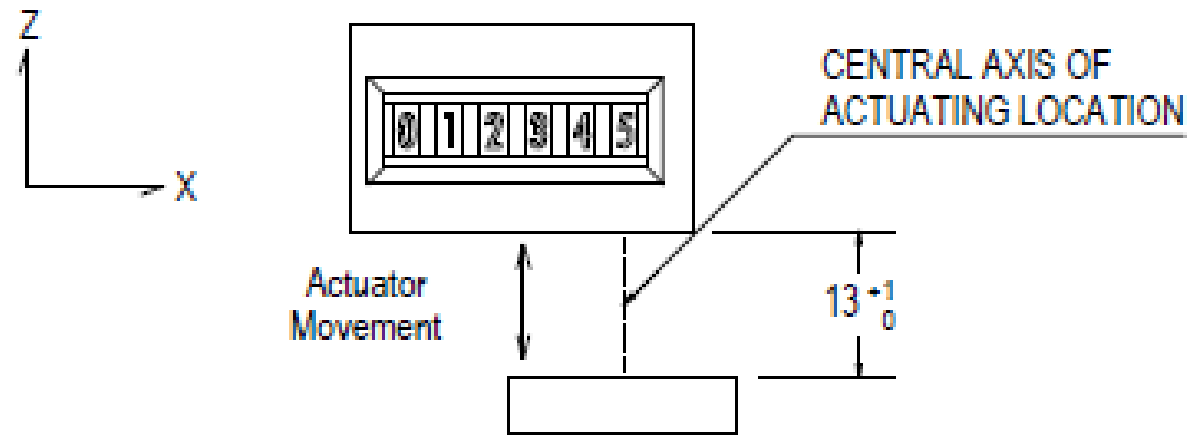


Number of Figures	6 digits
Counting Mode	Addition
Actuating Speed	2 m/s
Actuating Distance	13^{+1}_0 mm
Count Speed	20 digits/s
Mode of Actuation	Permanent Magnets (Ideal: Reciprocating)
Reset	None
Response Flux Density	> 20 mT (20 mm)
Release Flux Density	< 5 mT (35 mm)
Case	PPE/HIPS (Xyron)
Operating Temperature	-5 to +40 °C (non freezing)
Operating Humidity	85% RH maximum (non condensing)
Vibration Resistance	10-55 Hz, 1.5 mm peak to peak in XYZ directions
Useful Life	3 Million Counts minimum
Weight	~13 grams

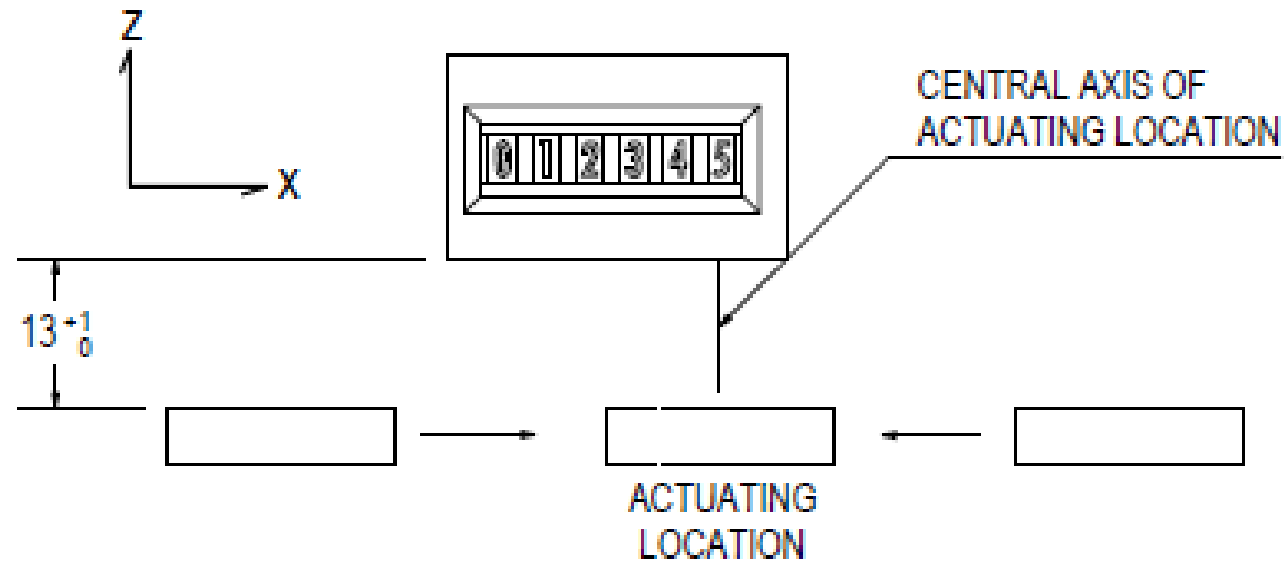


動作例

1. Magnet is aligned to the actuating location (Approaching from Z direction).

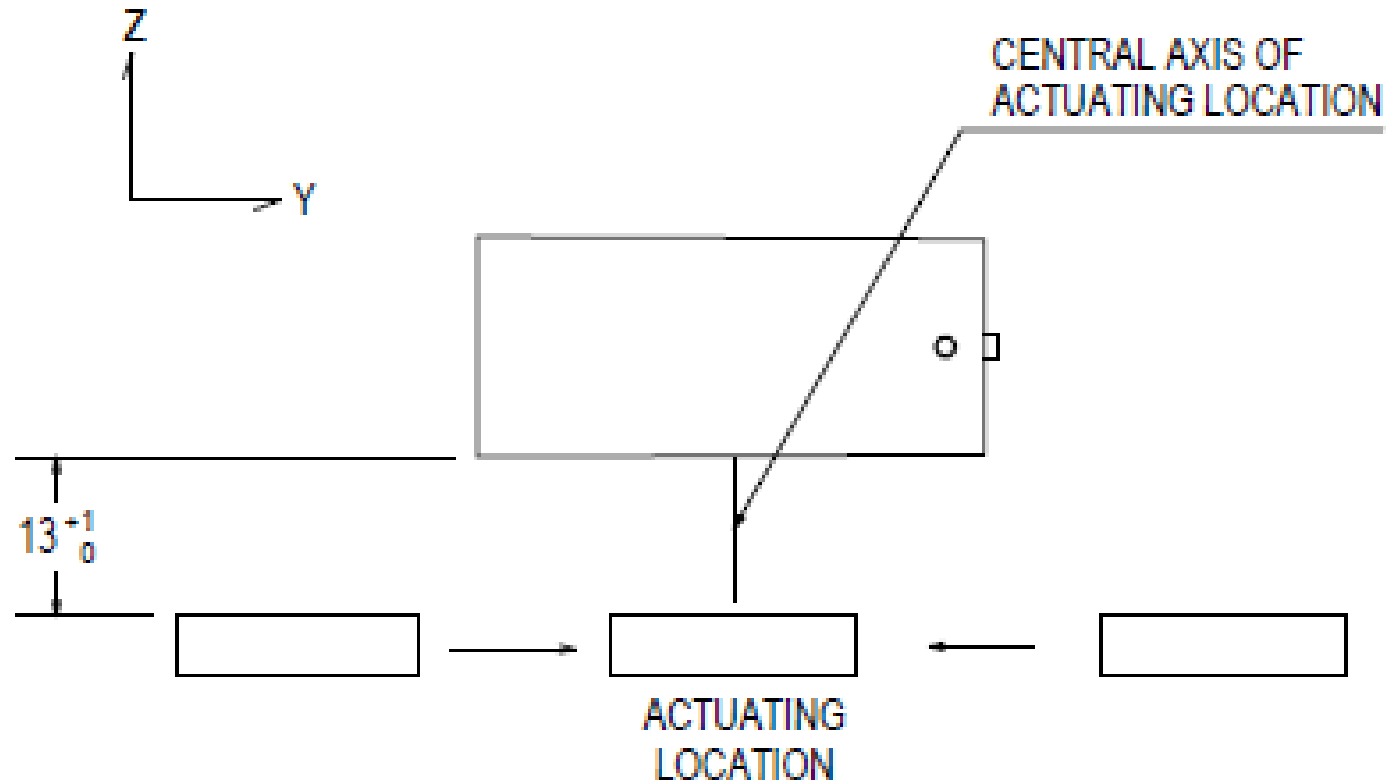


2. Magnet is approaching from $\pm X$ direction @ $13 + \frac{1}{0}$ distance



動作例

3. Magnet is approaching from $\pm Y$ direction @ $13^{+1}/0$ distance



動作例

4. Magnet is attached to a revolving mechanism (e.g. pulley, flywheel, etc)

